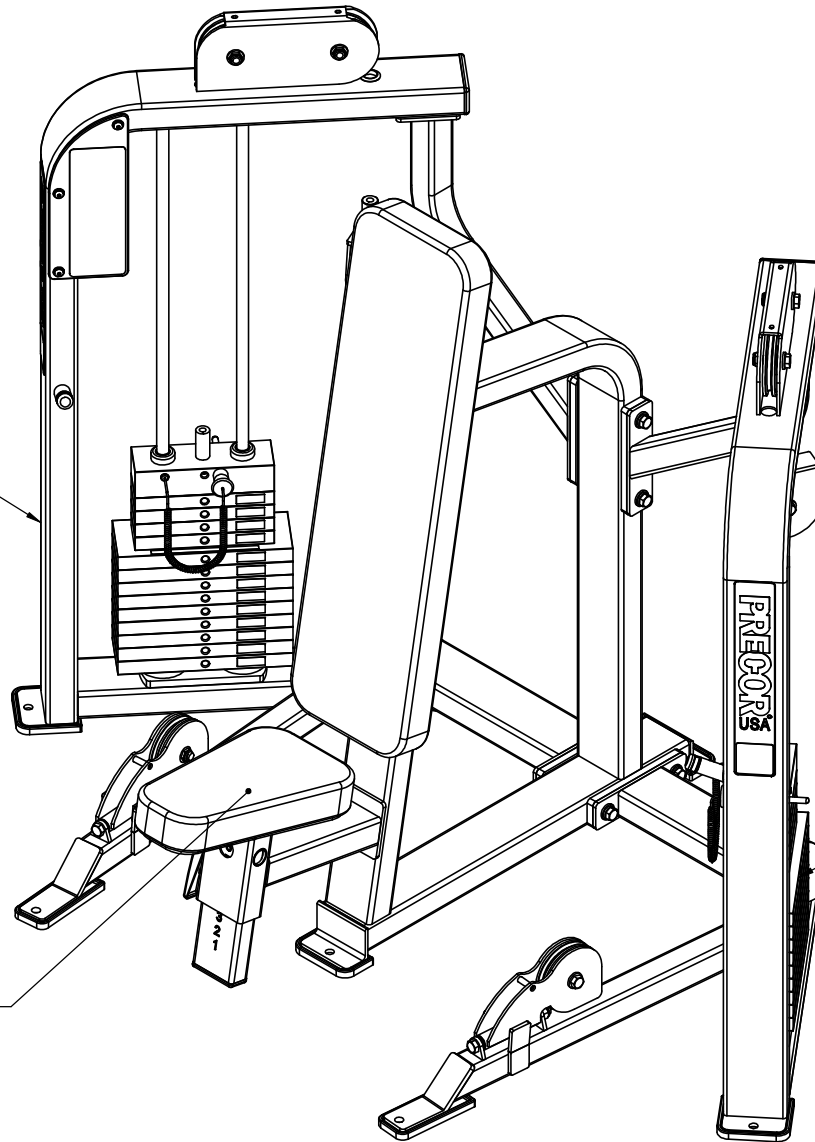


FRAME/HARDWARE,
SHEET 2

PADS/HARDWARE,
SHEET 3

WEIGHTS/GUIDE RODS,
SHEET 4



FT555

P/N : CW31368-102

SUBREV : F

DRAWN BY : MAH

DATE : 11.04.10

SHEET 1 OF 4

D

C

B

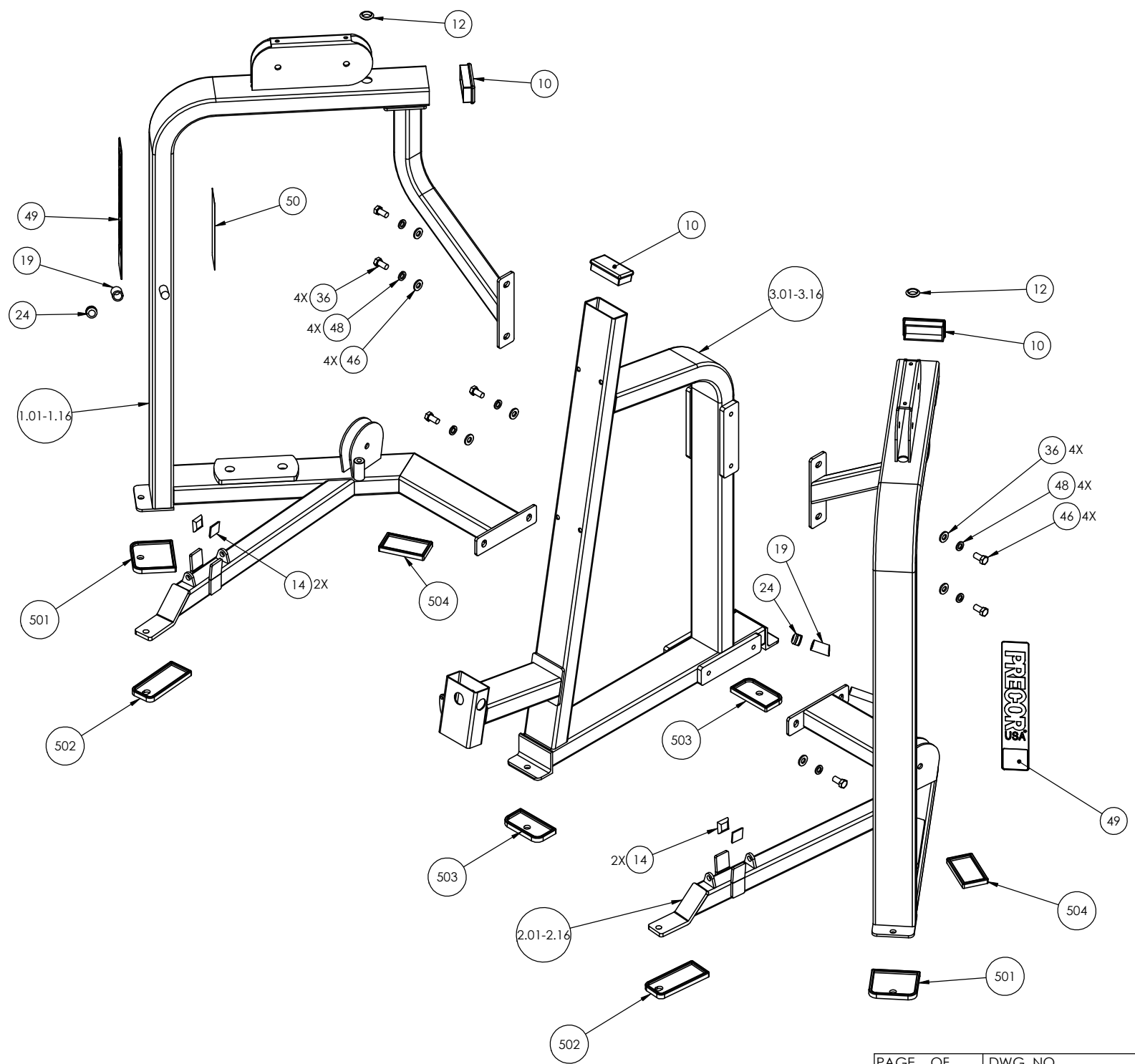
A

4

3

2

1



D

C

B

A

4

3

2

1

30.01-30.29

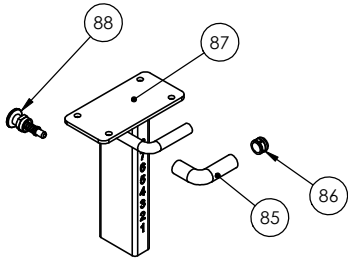
2X 44
2X 6
48 2X

45 4X
47 4X
43 4X

39 2X
48 2X

48 2X

44 2X
6 2X



SEAT SUPPORT PRIOR
TO 6/23/2005

44 48
33 37
56 38
56 6 48 39

9 73 74 74
72 27

4X 45
4X 47
4X 42
75

44 6
2X 48
39 2X

110.01-110.02 2X
31.01-31.29

39 48 33 6 48 44
56 56

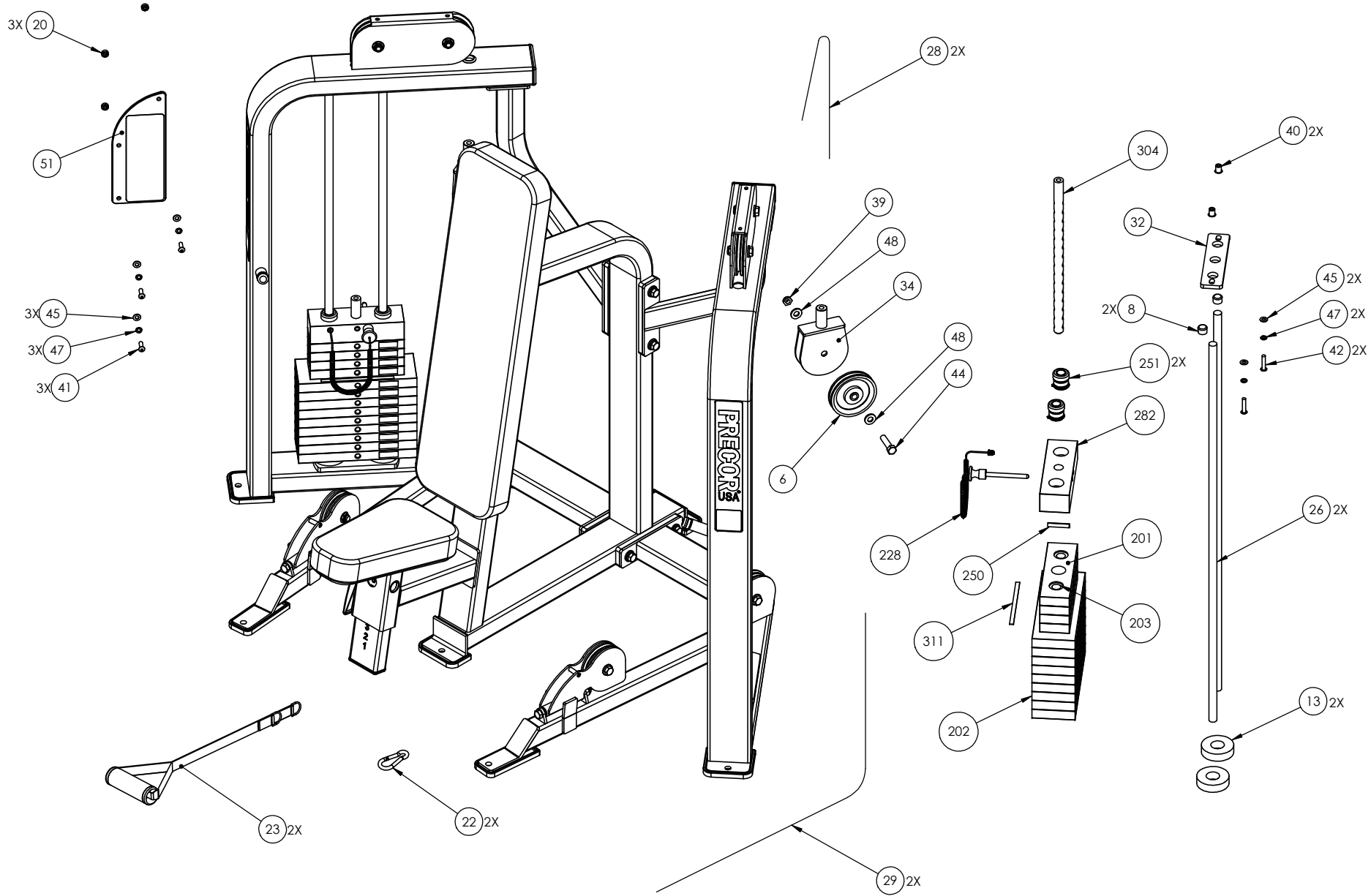
39 48 6 48 44

D

C

B

A



**VIEW EXPLODED FOR LEFT FRAME SHOWN
RIGHT FRAME HAS IDENTICAL COMPONENTS**

PAGE OF
4 4

DWG. NO.
CW31368-102

SUBREV
F

FT555 Functional Trainer, Shoulder Press

Part Number	Description	Bubble Number
CWFT555SA1-211	ASSY,FRAME,WEIGHT STK,LT,SKY WHITE	1.01
CWFT555SA1-221	ASSY,FRAME,WEIGHT STK,LT,BLACK	1.02
CWFT555SA1-231	ASSY,FRAME,WEIGHT STK,LT,RED	1.03
CWFT555SA1-241	ASSY,FRAME,WEIGHT STK,LT,PLT SPRKL	1.04
CWFT555SA1-251	ASSY,FRAME,WEIGHT STK,LT,SILVER	1.05
CWFT555SA1-261	ASSY,FRAME,WEIGHT STK,LT,BLUE	1.06
CWFT555SA1-271	ASSY,FRAME,WEIGHT STK,LT,CHARCOAL	1.07
CWFT555SA1-281	ASSY,FRAME,WEIGHT STK,LT,CATH GRAY	1.08
CWFT555SA1-291	ASSY,FRAME,WEIGHT STK,LT,SLVR VIEN	1.09
CWFT555SA1-311	ASSY,FRAME,WEIGHT STK,LEFT,STONE HG	1.11
CWFT555SA1-321	ASSY,FRAME,WGHT STK,LT,TITANIUM HG	1.12
CWFT555SA1-331	ASSY,FRAME,WEIGHT STK,LT,WHT GLOSS	1.13
CWFT555SA1-341	ASSY,FRAME,WEIGHT STK,LT,BLK ONYX	1.14
CWFT555SA1-351	ASSY,FRAME,WEIGHT STK,LT,LT. BRONZ	1.15
CWFT555SA1-361	ASSY,FRAME,WEIGHT STK,LT,SAPPHR BL	1.16
CWFT555SA2-211	ASSY,FRAME,WEIGHT STK,RT,SKY WHITE	2.01
CWFT555SA2-221	ASSY,FRAME,WEIGHT STK,RT,BLACK	2.02
CWFT555SA2-231	ASSY,FRAME,WEIGHT STK,RT,RED	2.03
CWFT555SA2-241	ASSY,FRAME,WEIGHT STK,RT,PLT SPRKL	2.04
CWFT555SA2-251	ASSY,FRAME,WEIGHT STK,RT,SILVER	2.05
CWFT555SA2-261	ASSY,FRAME,WEIGHT STK,RT,BLUE	2.06
CWFT555SA2-271	ASSY,FRAME,WEIGHT STK,RT,CHARCOAL	2.07
CWFT555SA2-281	ASSY,FRAME,WEIGHT STK,RT,CATH GRAY	2.08
CWFT555SA2-291	ASSY,FRAME,WEIGHT STK,RT,SLVR VIEN	2.09
CWFT555SA2-311	ASSY,FRAME,WEIGHT STK,RIGHT,STONE H	2.11
CWFT555SA2-321	ASSY,FRAME,WGHT STK,RT,TITANIUM HG	2.12
CWFT555SA2-331	ASSY,FRAME,WEIGHT STK,RT,WHT GLOSS	2.13
CWFT555SA2-341	ASSY,FRAME,WEIGHT STK,RT,BLK ONYX	2.14
CWFT555SA2-351	ASSY,FRAME,WEIGHT STK,RT,LT. BRONZ	2.15
CWFT555SA2-361	ASSY,FRAME,WEIGHT STK,RT,SAPPHR BL	2.16
CWFT555SA3-211	ASSY,SEAT FRAME SHOULDER,SKY WHITE	3.01
CWFT555SA3-212	ASSY,SEAT FRAME SHOULDER,SKY WHITE	3.01
CWFT555SA3-221	ASSY,SEAT FRAME SHOULDER,BLACK	3.02
CWFT555SA3-231	ASSY,SEAT FRAME SHOULDER,RED	3.03
CWFT555SA3-241	ASSY,SEAT FRAME SHOULDER, PLATINUM	3.04
CWFT555SA3-251	ASSY,SEAT FRAME SHOULDER,SILVER	3.05
CWFT555SA3-261	ASSY,SEAT FRAME SHOULDER,BLUE	3.06
CWFT555SA3-271	ASSY,SEAT FRAME SHOULDER,CHARCOAL	3.07
CWFT555SA3-281	ASSY,SEAT FRAME SHOULDER,CATHEDRAL	3.08
CWFT555SA3-291	ASSY,SEAT FRAME SHOULDER,SILVER VIE	3.09
CWFT555SA3-312	ASSY,SEAT FRAME SHOULDER,STONE HG	3.11
CWFT555SA3-321	ASSY,SEAT FRAME SHOULDER, TITANIUM	3.12
CWFT555SA3-322	ASSY,SEAT FRAME SHOULDER, TITANIUM	3.12
CWFT555SA3-331	ASSY,SEAT FRAME SHOULDER, WHITE GLO	3.13
CWFT555SA3-341	ASSY,SEAT FRAME SHOULDER, BLACK ONY	3.14
CWFT555SA3-351	ASSY,SEAT FRAME SHOULDER, LIGHT BRO	3.15
CWFT555SA3-361	ASSY,SEAT FRAME SHOULDER,SAPPHIRE B	3.16
CWAC1001-101	LABEL, "ICARIAN", 1 1/2 X 8 1/8	4
CWAC1002-101	LABEL, "ICARIAN", 3 X 16 3/8	5

CWAC1009-101	PULLEY, 4 1/2 DIA X 1/2 ID	6
CW12404-101	CAP, GUIDE ROD,DIA 3/4, BLK	8
CW32460-221	ASSY, RATCHETING LEVER, BLACK	9
CW11311-102	ENDCAP, REC TUBE, 2X4, BLK PLASTIC	10
CW12626-101	GROMMET, HOLE, FLEXTMP, OD 1.04, I	12
CW12402-101	BUMPER, ID 1.050, BLK RUBBER	13
CW12575-101	MOULDED BUMPON, BLACK, 31.75MM SQ (14
CW34822-101	LABEL, "ASSEMBLED IN THE USA"	15
CWAC1161-101	LABEL, ROUND, "MADE IN USA"	15
CWAC1183-101	LABEL, WARNING, SERIOUS INJURY	17
CWGR4801-500	GRIP, RUBBER, .75" OD HANDLE, 1.50"	19
CWAC1228-901	SPACER, ALU,.328 ID X .625 OD X .25	20
CW12589-741	CARBINE, HOOK, MEDIUM, 5/16" DIA, 3	22
CW32580-102	HANDLE, WEBBING 25.79", D-RING (4X)	23
CWAC220-901	HANDLE END CAP W/SET SCREWS, DIA 3/	24
CWACFT555-101	LABEL,INSTR,FUNCTNL TRNR SHLDRPRSS	25
CWPF1212-711	GUIDE ROD, 3/4 X 42 5/8 (#4), CHM	26
CW32535-711	ASSEMBLY, SEAT ADJUSTMENT, 8 HOLE,	27
CWCLGG051-500	ASSY, CABLE, FT332, FT334, FT555	28
CWCLRA097-625	ASSY, CABLE, MARINE EYES, FT555	29
CWPD1102J-101	PAD,FLAT,10X36,4HOLES,W/BP,BLACK,W/	30.01
CWPD1102J-102	PAD,FLAT,10X36,4HOLES,W/BP,RYL BL,W	30.02
CWPD1102J-103	PAD,FLAT,10X36,4HOLES,W/BP,DVE GRY,	30.03
CWPD1102J-104	PAD,FLAT,10X36,4HOLES,W/BP,CROCUS,W	30.04
CWPD1102J-105	PAD,FLAT,10X36,4HOLES,W/BP,GROTTO,W	30.05
CWPD1102J-106	PAD,FLAT,10X36,4HOLES,W/BP,GRAPHITE	30.06
CWPD1102J-107	PAD,FLAT,10X36,4HOLES,W/BP,RED,W/SL	30.07
CWPD1102J-108	PAD,FLAT,10X36,4HOLES,W/BP,CHN GRN,	30.08
CWPD1102J-109	PAD,FLAT,10X36,4HOLES,W/BP,TURQSE,W	30.09
CWPD1102J-110	PAD,FLAT,10X36,4HOLES,W/BP,RASP,W/S	30.1
CWPD1102J-111	PAD,FLAT,10X36,4HOLES,W/BP,PLUM,W/S	30.11
CWPD1102J-112	PAD,FLAT,10X36,4HOLES,W/BP,REGIMENT	30.12
CWPD1102J-113	PAD,FLAT,10X36,4HOLES,W/BP,SPC BLUE	30.13
CWPD1102J-115	PAD,FLAT,10X36,4HOLES,W/BP,BLK LTHR	30.15
CWPD1102J-116	PAD,FLAT,10X36,4HOLES,W/BP,NVBL LTH	30.16
CWPD1102J-117	PAD,FLAT,10X36,4HOLES,W/BP,PUTTY,W/	30.17
CWPD1102J-118	PAD,FLAT,10X36,4HOLES,W/BP,IMPRL BL	30.18
CWPD1102J-119	PAD,FLAT,10X36,4HOLES,W/BP,YEW GRN,	30.19
CWPD1102J-120	PAD,FLAT,10X36,4HOLES,W/BP,DSTY JDE	30.2
CWPD1102J-121	PAD,FLAT,10X36,4HLS,W/BP,TRRA CTTA,	30.21
CWPD1102J-122	PAD,FLAT,10X36,4HOLES,W/BP,PAPRIKA,	30.22
CWPD1102J-123	PAD,FLAT,10X36,4HLS,W/BP,ASH LTHR,W	30.23
CWPD1102J-124	PAD,FLAT,10X36,4HL,W/BP,CERULN LTH,	30.24
CWPD1102J-125	PAD,FLAT,10X36,4HL,W/BP,CHARCL LTH,	30.25
CWPD1102J-126	PAD,FLAT,10X36,4HLS,W/BP,HUNTER LTH	30.26
CWPD1102J-127	PAD,FLAT,10X36,4HLS,W/BP,MOSS LTH,W	30.27
CWPD1102J-128	PAD,FLAT,10X36,4HLS,W/BP,SPICE LTH,	30.28
CWPD1102J-129	PAD,FLAT,10X36,4HLS,W/BP,TOMATO LTH	30.29
CWPD1207B-101	PAD,5X9X14.5,4HOLES,W/BP,BLACK	31.01
CWPD1207B-102	PAD,5X9X14.5,4HOLES,W/BP,RYL BL	31.02
CWPD1207B-103	PAD,5X9X14.5,4HOLES,W/BP,DVE GRY	31.03
CWPD1207B-104	PAD,5X9X14.5,4HOLES,W/BP,CROCUS	31.04

CWPD1207B-105	PAD,5X9X14.5,4HOLES,W/BP,GROTTO	31.05
CWPD1207B-107	PAD,5X9X14.5,4HOLES,W/BP,RED	31.07
CWPD1207B-108	PAD,5X9X14.5,4HOLES,W/BP,CHN GRN	31.08
CWPD1207B-109	PAD,5X9X14.5,4HOLES,W/BP,TURQSE	31.09
CWPD1207B-111	PAD,5X9X14.5,4HOLES,W/BP,PLUM	31.11
CWPD1207B-113	PAD,5X9X14.5,4HOLES,W/BP,SPC BLUE	31.13
CWPD1207B-118	PAD,5X9X14.5,4HOLES,W/BP,IMPRL BL	31.18
CWPD1207B-119	PAD,5X9X14.5,4HOLES,W/BP,YEW GRN	31.19
CWPD1207B-120	PAD,5X9X14.5,4HOLES,W/BP,DSTY JD	31.2
CWPD1207B-121	PAD,5X9X14.5,4HOLES,W/BP,TER COT	31.21
CWPD1207B-122	PAD,5X9X14.5,4HOLES,W/BP,PAPRIKA	31.22
CWPD1207B-123	PAD,5X9X14.5,4HLS,W/BP,ASH LTHR	31.23
CWPD1207B-125	PAD,5X9X14.5,4HLS,W/BP,CHARCOAL LTH	31.25
CWPD1207B-126	PAD,5X9X14.5,4HLS,W/BP,HUNTER LTHR	31.26
CWPD1207B-127	PAD,5X9X14.5,4HLS,W/BP,MOSS LTHR	31.27
CWPD1207B-128	PAD,5X9X14.5,4HLS,W/BP,SPICE LTHR	31.28
CWPD1207B-129	PAD,5X9X14.5,4HLS,W/BP,TOMATO LTH	31.29
CWPF1016-101	UHMWPE, GUIDE ROD CAPTURE PLATE	32
CW31303-721	ASSY, PIVOTING PULLEY HOUSING, WRKL	33
CW30090-120	WEIGHT STACK,120 LBS,STP-T,4 X 05 L	35
CWHCYN050-100	SCREW,HEX HEAD,BLK XYLAN,1/2-13 X 1	36
CWHCCN050-600	SCREW, HEX HEAD, ZINC, 1/2-13 X 6	37
CWKDYN050-059	LOCKNUT, NYLON INSERT, FULL, UNC, 1	38
CWKAYN050-031	LOCKNUT, NYLON INSERT, HALF, UNC, 1	39
CW12537-109	NUT,INSERT,THIN-NUT,LARGE FLANGE	40
CWTAYN031-100	SCREW, BUTTON HEAD, BLK XYLAN, 5/16	41
CWTAYN031-150	SCREW, BUTTON HEAD, BLK XYLAN, 5/16	42
CWTAYN031-325	SCREW, BUTTON HEAD, BLK XYLAN, 5/16	43
CWHCYN050-200	SCREW, HEX HEAD, BLK XYLAN, 1/2-13	44
CWWBKN031-007	WASHER, FLAT, TYPE A, SAE, 5/16 ID	45
CWWBKN050-010	WASHER, FLAT, TYPE A, SAE, 1/2 ID X	46
CWWALYN031-008	WASHER, SPLIT, 5/16 ID, BL	47
CWWBKN050-010	WASHER, FLAT, TYPE A, SAE, 1/2 ID X	48
CWWALYN050-013	WASHER, SPLIT, 1/2 ID, BLK XYLAN	48
CW31756-101	LABEL, PRECOR USA ICARIAN LINE	49
CW30160-101	ASSY, LABEL,INSTRUCTION,FT555	51
CW10433-108	BUSHING,FLNGD,.75ODX.5IDX.5,IGUS R	56
CW12634-101	SPRING, TORSION 90 DEG X 0.484 X 0.	72
CW31770-742	LATCH PIVOTING PIN, CLR ZN	73
CWAMNN028-003	RING, RETAINING, 2-TURN, SPIRAL, SS	74
CWGR4805-000	GRIP, RUBBER, .75" OD HANDLE, 5.00"	85
CWAC220-901	HANDLE END CAP W/SET SCREWS, DIA 3/	86
CW31143-711	ASSY, SEAT ADJUSTMENT, 8 HOLE, CHM	87
CW30165-752	ASSY, POP PIN, 0.450 DIA NOSE, BLU	88
CWAC1236-104	GUIDE INSERT, PLASTIC WITH HOLE, BL	110.01
CW10505-721	ASSY, PLATE, WEIGHT, 05 LBS, WRKL B	200
CW10510-721	ASSY, PLATE, WEIGHT, 10 LBS, WRKL B	201
CWAC1133-101	BUSHING, WEIGHT PLATE, LDPE PLASTIC	203
CW33870-102	ASSEMBLY, 5" WEIGHT STACK PIN & LEA	227
CW33870-102	ASSEMBLY, 5" WEIGHT STACK PIN & LEA	228
CWLDNN038-200	SLOTTED PIN SPRING, DIA 3/8 X 2	250
CW30184-901	ASSY,BARREL,TOP PLATE,ALUMINUM,SHRT	251

CW10519-721	PLATE, WEIGHT, 20 LBS, WRKL BLK	279
CW32560-101	ASSY, PLATE, WEIGHT, MED TOP (MTP-S	299
CW30130-711	SELECTOR STEM, 15 PLATE,0 .875 DIA,	304
CW33265-101	LABELS,WEIGHT STACK,200 LBS,10-200	399
CW12537-109	NUT,INSERT,THIN-NUT,LARGE FLANGE	400
CWPF3143-211	SHROUD,SHEET,STEEL,4 BENDS, SKY WHI	402.01
CWPF3143-221	SHROUD,SHEET,STEEL,3/32 THICK,4 BEN	402.02
CWPF3143-231	SHROUD,SHEET,STEEL,3/32 THICK,4 BEN	402.03
CWPF3143-241	SHROUD,SHEET,STEEL,3/32 THICK,4 BEN	402.04
CWPF3143-251	SHROUD,SHEET,STEEL,3/32 THICK,4 BEN	402.05
CWPF3143-261	SHROUD,SHEET,STEEL,3/32 THICK,4 BEN	402.06
CWPF3143-271	SHROUD,SHEET,STEEL,3/32 THICK,4 BEN	402.07
CWPF3143-281	SHROUD,SHEET,STEEL,3/32 THICK,4 BEN	402.08
CWPF3143-291	SHROUD,SHEET,STEEL,3/32 THICK,4 BEN	402.09
CWPF3143-311	SHROUD,SHEET,STEEL,3/32 THICK,4 BEN	402.11
CWPF3143-321	SHROUD,SHEET,STEEL,4 BENDS, TITANIU	402.12
CWPF3143-331	SHROUD,SHEET,STEEL,3/32 THICK,4 BEN	402.13
CWPF3143-341	SHROUD,SHEET,STEEL,3/32 THICK,4 BEN	402.14
CWPF3143-351	SHROUD,SHEET,STEEL,3/32 THICK,4 BEN	402.15
CWPF3143-361	SHROUD,SHEET,STEEL,3/32 THICK,4 BEN	402.16
CWPF3143-711	SHROUD,SHEET,STEEL,3/32 THICK,4 BEN	402.17
CWPF3144-721	SHROUD BRKT,PLATE,STEEL,1/8 THICK,1	403
CWPF3145-721	SHROUD BRKT,PLATE,STEEL,1/8 THICK,2	404
CWTAYN031-100	SCREW, BUTTON HEAD, BLK XYLAN, 5/16	405
CWWALYN031-008	WASHER, SPLIT, 5/16 ID, BL	406
CWWBKN031-007	WASHER, FLAT, TYPE A, SAE, 5/16 ID	407
CWAC1177-101	FLOOR PROTECTOR, RUBBER, 4.563 X 4.	501
CWAC1178-101	FLOOR PROTECTOR, RUBBER, 2.563 X 6.	502
CWAC1179-101	FLOOR PROTECTOR, RUBBER, 4.813 X 2.	503
CWAC1180-101	FLOOR PROTECTOR, RUBBER, 2.563 X 4.	504